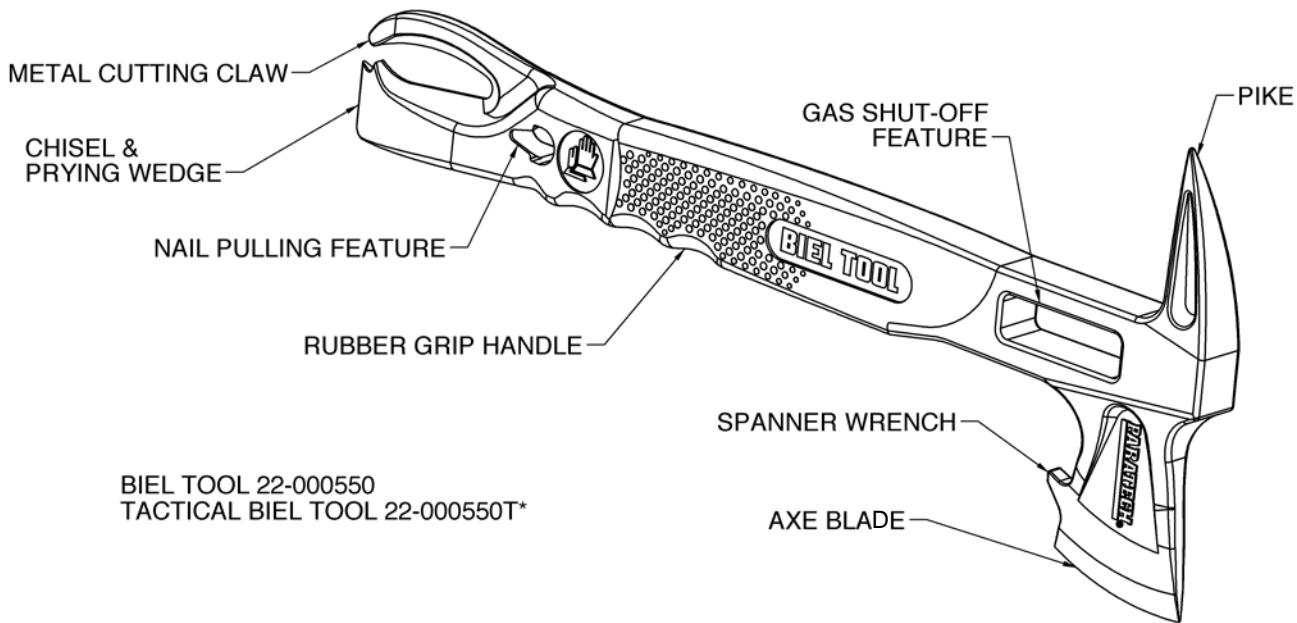


BIEL TOOL INSTRUCTION



BIEL TOOL 22-000550
TACTICAL BIEL TOOL 22-000550T*

The Biel Tool is designed to be an ergonomic, light, wearable (using available Sheath or Tactical Pouch) multi purpose fireman's personal tool that can be employed instantly without any preparations and used for multiple purpose forcible entry and rescue. The Biel Tool complies with SAE International Aerospace Standard AS5402 and NTSB Crash Axe requirements.

No moving or removable parts. Hardened stainless steel construction is rust free. The Biel Tool is designed for forcing open doors and windows, opening holes, prying and twisting, metal cutting and chopping.

The Biel Tool's pike has an "H" shaped cross-section that prevents it from being stuck in penetrated materials. To enlarge a punched hole, rotate the Biel Tool to either side. The pike is designed to puncture holes, crush or chip glass, plastic, tiles or other masonry, twisting hasps and other hardware

The Biel Tool's axe blade is for chopping, busting, prying, or hinge pin removal. The axe blade incorporates Paratech's TopCut design for optimal blade cutting experience. Two relief depressions are provided in the axe blade to provide for easy removal from deeper cuts.

Under the blade there is a spanner boss that can be used to operate AcmeThread Collar Nuts on Paratech RescueStruts, fire hose connections and other similar devices.

The metal cutting claw has a special curve designed to have a maximum cut length per stroke and the end of that blade is thicker so the blade won't jam when cutting is performed. Sheet metal can be cut up to 1/8" thickness.

The Biel Tool is also a prying tool when using its chisel & prying wedge on the opposite of the axe blade. A nail pulling feature is integrated into the cutting claw with an ergonomically friendly curve that creates the highest pulling force at the beginning and then by easing off while the nail is extracted further out.

In the head of the axe blade there is a rectangular slot that was designed primarily for gas shut-off valves. Additional uses for this slot may be, attaching rope for use as a grapnel hook or as a storage notch.

Minimal maintenance for the Biel Tool is required. To remove debris, wash with water and mild soap. Dry thoroughly. The axe blade, cutting claw and pike can all be sharpened as needed. There is no plating to worry about chipping since the tool is stainless steel and electropolished. *

Overall dimensions:
6.47" (164mm) W x 15.0" (380mm) L x .86" (22mm) T
Weight: 3.3lbs (1.5kg)

(*The tactical version of the Biel Tool is electropolished with black chrome plating)

RULES FOR SAFE OPERATION

1. All personnel using and assisting with the tool should wear safety clothing (helmets, eye protection, gloves, etc).
2. Clear the area of all bystanders and personnel not directly involved in the operation.
3. Keep fingers, hands, feet etc. away from striking, prying and cutting areas which the tool may come in contact with.
4. Watch for flying objects such as bolts, pieces of glass, masonry and metal.
5. Do not be careless. Use your common sense and training to protect yourself, victims and those in the operation.

BIEL TOOL WARRANTY

Each **BIEL TOOL** or component thereof, manufactured by Paratech Incorporated, has been thoroughly inspected and properly adjusted before shipment to insure the highest quality and the greatest possible reliability.

Paratech Incorporated (hereinafter referred to as "Seller") hereby warrants the **BIEL TOOL** or component thereof to the original retail buyer only against defects in material and workmanship under normal use and service, for life. This warranty shall constitute the sole warranty of the Seller with respect to the **BIEL TOOL** or component thereof. **THE SELLER HEREBY DISCLAIMS AND EXCLUDES ALL OTHER WARRANTIES, EXPRESSED OR IMPLIED, INCLUDING ANY IMPLIED WARRANTY OR MERCHANTABILITY OR FITNESS FOR A PARTICULAR PURPOSE.** The Seller neither assumes nor authorizes any other person to assume for it any other obligations or liabilities in connection with the sale or use of this product.

Should there be any defects in the material or workmanship of the **BIEL TOOL**, the buyer should return the defective product to the factory for inspection with shipping prepaid and a copy of receipt from the date of purchase. If inspection shows that the **BIEL TOOL** or a component thereof is defective and that such defects were not caused by negligence, misuse, accident or unauthorized service, the product sold hereunder will be repaired or replaced at the option of the Seller, without charge, FOB at the factory, Frankfort, Illinois.

THIS REMEDY SHALL BE THE EXCLUSIVE REMEDY FOR BREACH OF WARRANTY WITH RESPECT TO THE BIEL TOOL OR COMPONENTS THEREOF. THE SELLER SHALL NOT BE LIABLE FOR INCIDENTAL OR CONSEQUENTIAL DAMAGES RESULTING FROM ANY BREACH OF WARRANTY WITH RESPECT TO THE THE BIEL TOOL AND COMPONENTS THEREOF FROM ANY DELAY IN THE PERFORMANCE OF THE REMEDY HEREUNDER.